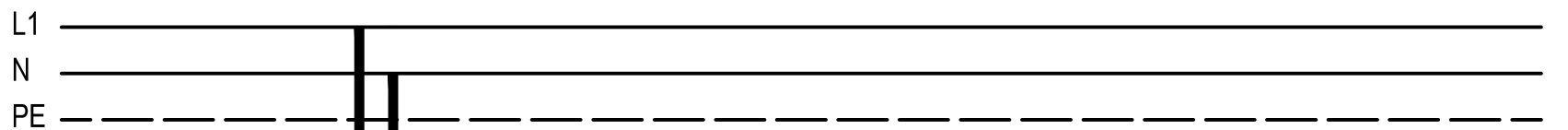
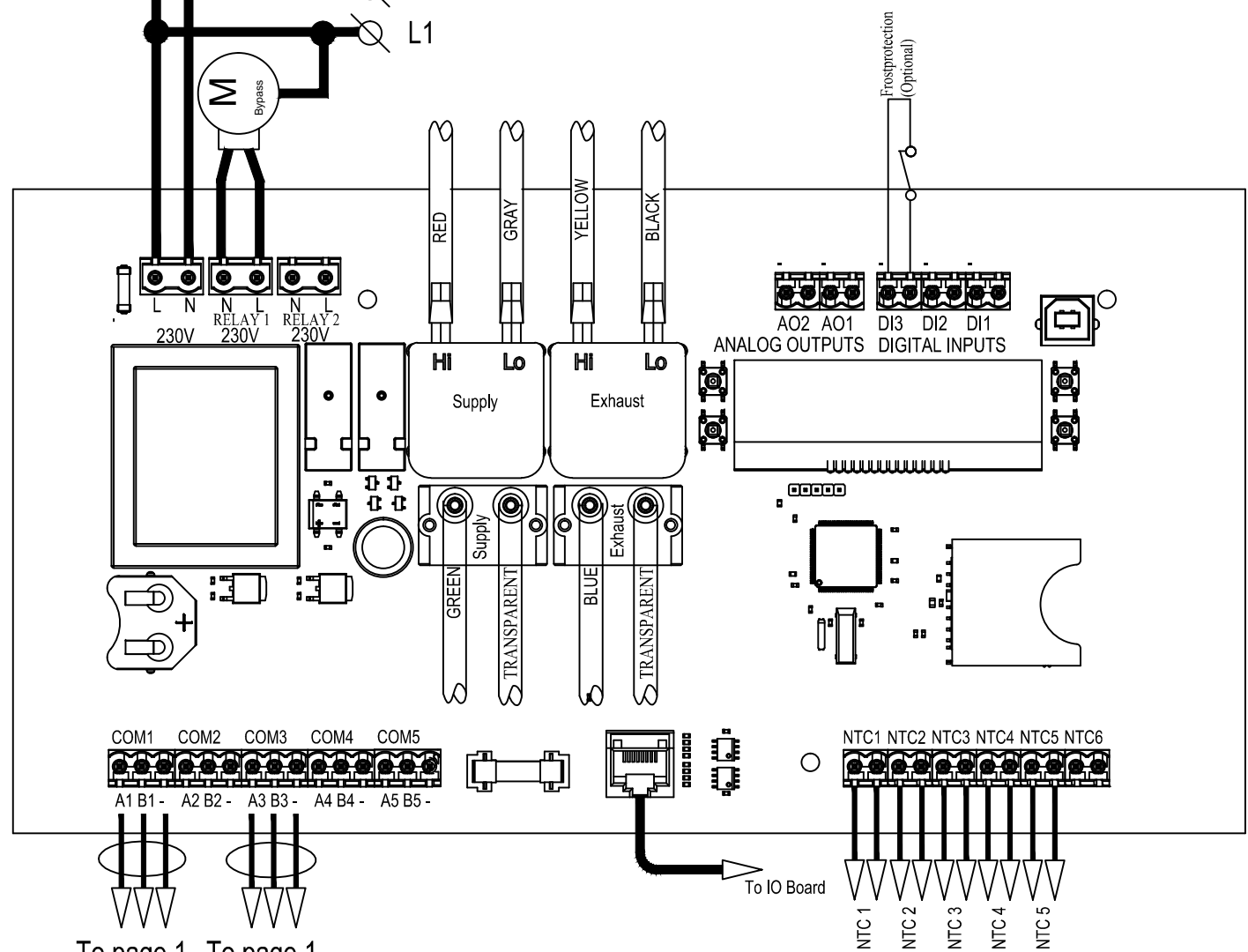


<p>THIS DOCUMENT IS PROPERTY OF ZEHNDER GROUP AG. ALL RIGHTS RESERVED. It may not be admitted for a second to third parties, other than for parts, unless granted. It is not provided to other third parties unauthorised, in any way.</p>	ECH	Dimer	Tolerances according to ISO 1101 / ISO 8015 (E)	Dimensional tolerances		Date drawn 26-03-12	Drawn by JH
	Article number	Status	Surface condition acc. to	Surface treatment	Scale 1:1	Date released	Rel. by
	Material				Sheet 1 of 1	Date created	Language
	Description						Drawing number
Schema ComfoAir XL 1500, 2200, 3300, 4400						T.98040136312	



From page 1

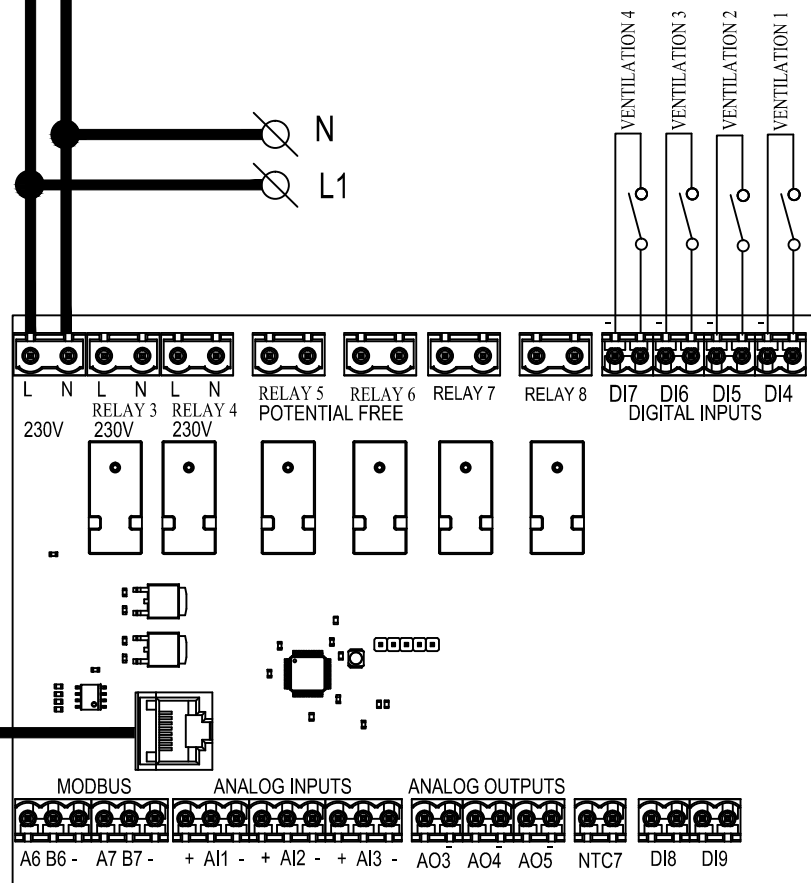
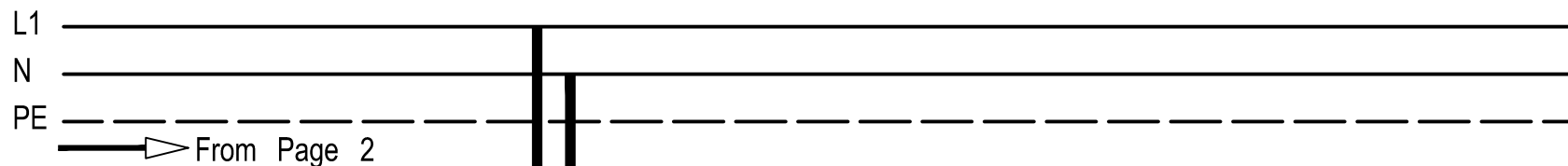
I/O Board



To page 1
SUPPLY

To page 1
EXHAUST

NTC1
NTC2
NTC3
NTC4
NTC5
NTC6



To Main Board